

Machine Moving Equipment

HS-4A/HS-8A/HS-12A

Operating instructions



HS-4A



HS-8A



HS-12A

⚠️ WARNING: Read carefully and understand all ASSEMBLY AND OPERATION INSTRUCTIONS before operating. Failure to follow the safety rules and other basic safety precautions may result in serious personal injury.

⚠ CAUTION

- Always use the correct equipment to load the skate such as toe jacks.
- When loading the skate set make sure the load is distributed in such away that each individual skate is not overloaded.
- Make sure the load will not tip over from the skate.
- Make sure the load is not unstable on the skate and avoid any risk of the load tipping over or falling from the skate.
- When moving loads on a floor that has a slope make sure you have means of controlling the movement of the load once it starts moving.
- Always insure the floor is clean and free from any items that could damage the wheels of the skates.

Maintenance

- Inspect the skates on a regular basis and before use to insure they are in a safe to use condition.
- Keep the wheels clean and remove any metal items that have become in bedded in the wheels.
- Lubricate the wheels to allow the skates to continue to move freely making moving the load easier.

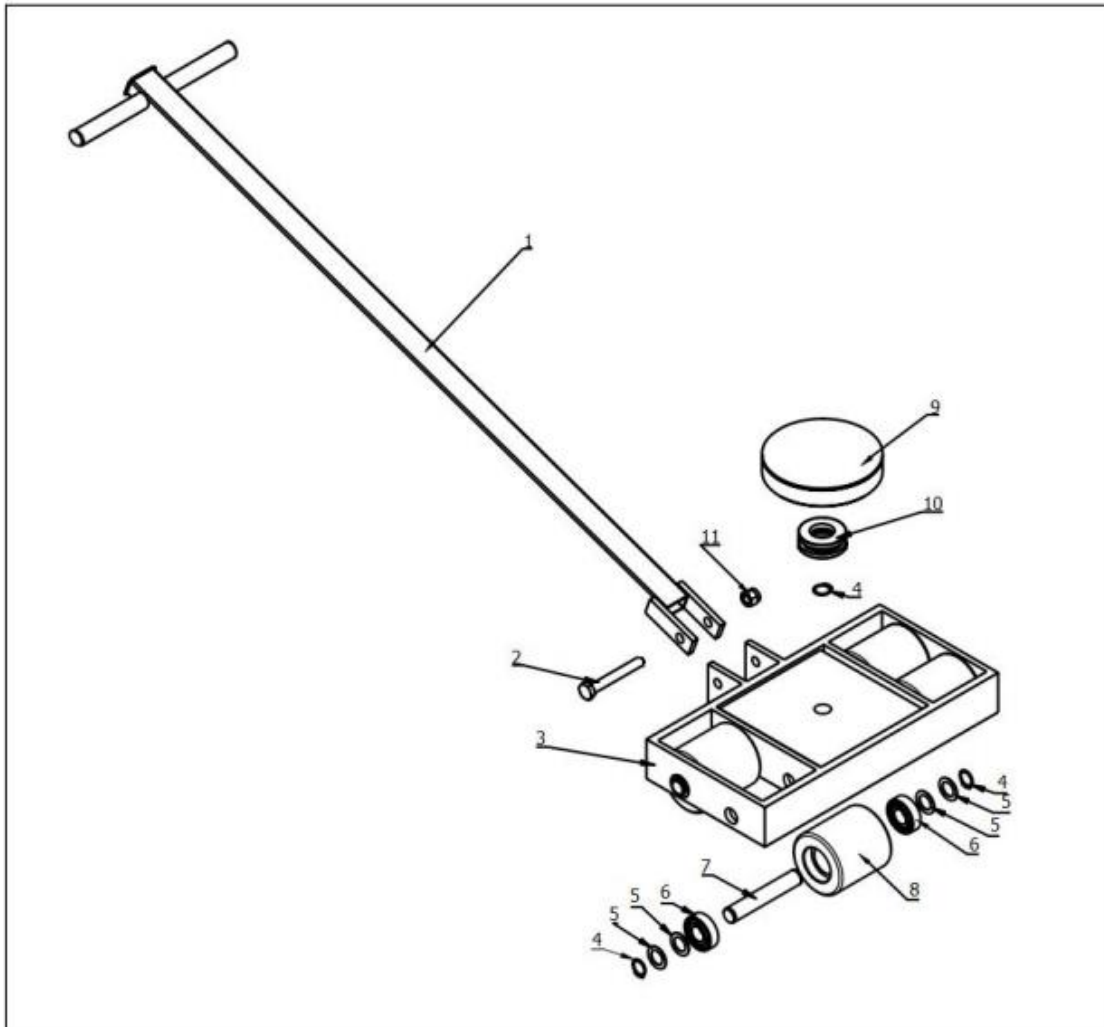
Personal protection

- Always wear safety boots when moving heavy loads.
- Do not put feet or hands under the load once it is placed on the skates.
- When moving the load on the skate always insure that there is no risk of any person becoming trapped by the moving load.

Technical Specifications

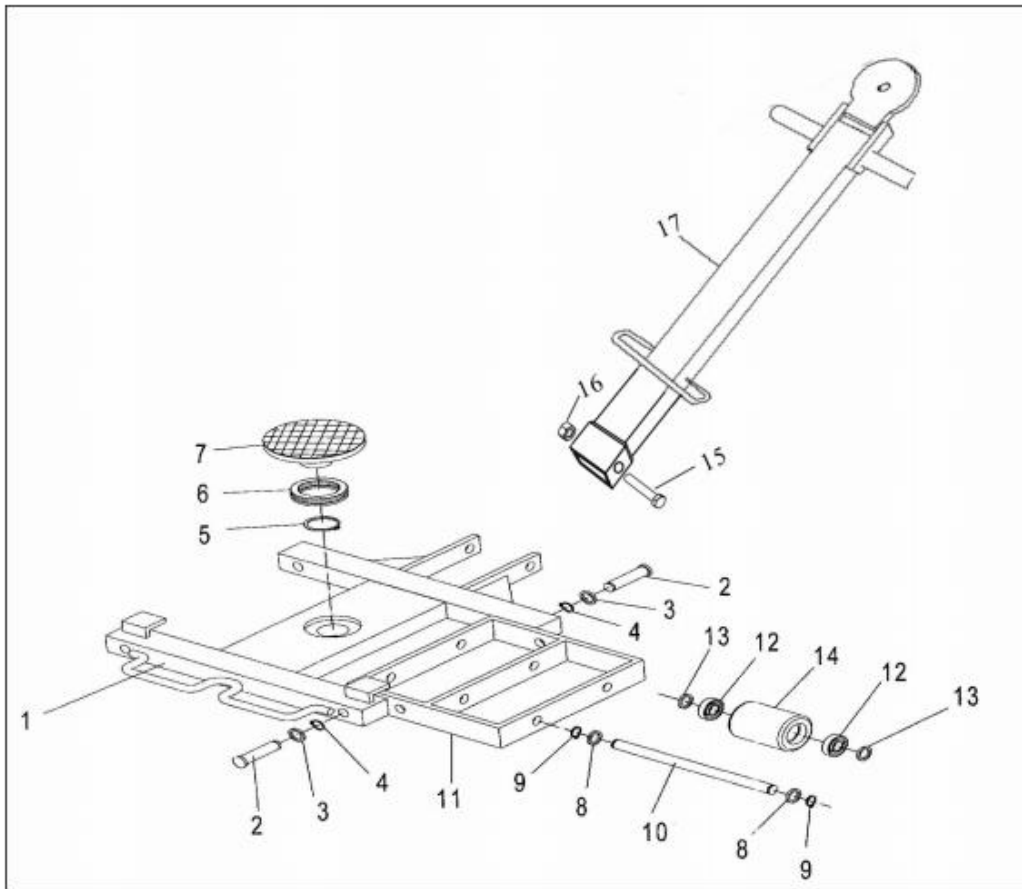
Model	No.of wheels	Dimensions of turn plate (in.)	Length of Handle (in.)	Overall Dimensions L×W×H (in.)	Capacity (lb.)	Net Weight (lb.)
HS-4A	4	5-29/32	39-61/64	16-17/32 × 10-35/64 × 4-9/16	13,200	75
HS-8A	8	6-19/64	51-3/16	23-55/64 × 19-7/32 × 4-9/16	26,400	125
HS-12A	12	7-3/32	51-3/16	33-55/64 × 21-29/64 × 4-9/16	39,600	143

Exploded figures of HS-4A and parts list



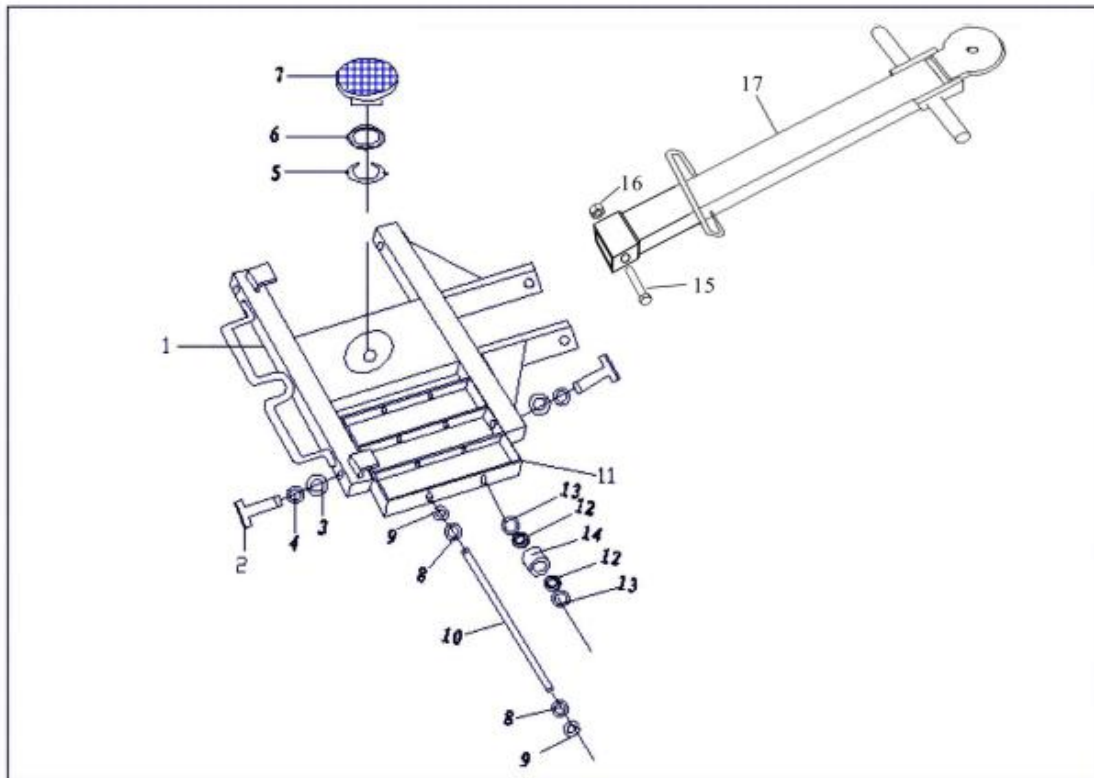
No.	Description	Quantity
1	Handle	1
2	Bolt	1
3	Frame	1
4	Retaining Ring	9
5	Washer	16
6	Bearing	8
7	Axle	4
8	Wheel	4
9	Crest Plank Arts	1
10	Bearing	1
11	Nut	1

Exploded figures of HS-8A and parts list



No.	Description	Quantity
1	Frame	1
2	Shaft	4
3	Washer	4
4	Retaining Ring	4
5	Retaining Ring	1
6	Bearing	1
7	Crest Plank Arts	1
8	Washer	8
9	Retaining Ring	8
10	Axle	4
11	Frame of Roller	2
12	Bearing	16
13	Washer	16
14	Wheel	8
15	Bolt	1
16	Nut	1
17	Handle	1

Exploded figures of HS-12A and parts list



No.	Description	Quantity
1	Frame	1
2	Shaft	4
3	Washer	4
4	Retaining Ring	4
5	Retaining Ring	1
6	Bearing	1
7	Crest Plank Arts	1
8	Washer	8
9	Retaining Ring	8
10	Axle	4
11	Frame of Roller	2
12	Bearing	24
13	Washer	24
14	Wheel	12
15	Bolt	1
16	Nut	1
17	Handle	1